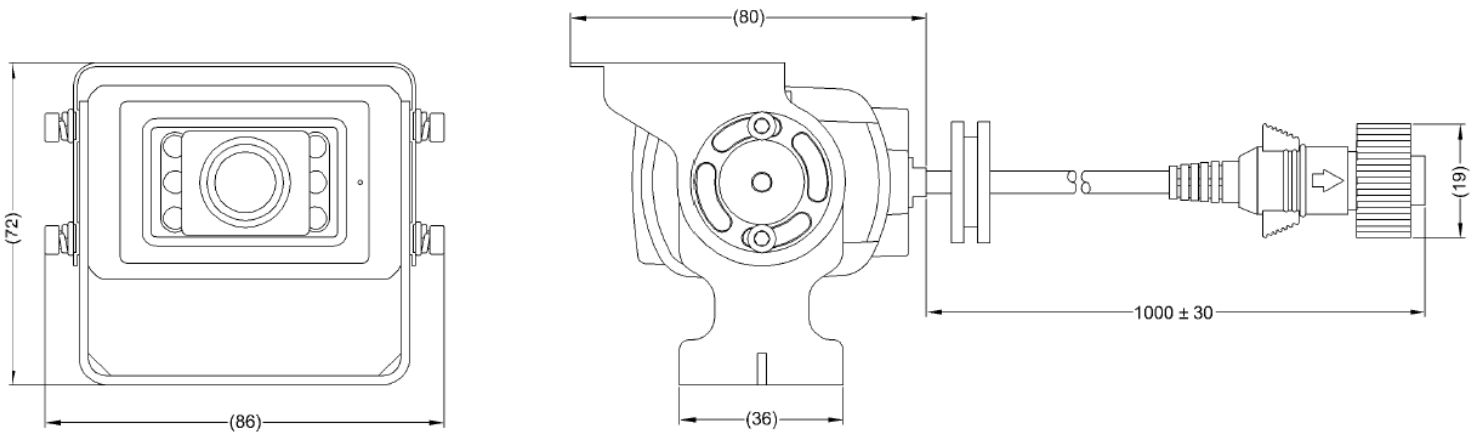


Product Specification



Brigade Model Number: BE-850C
Brigade Part Number: 4924



Dimensions: mm

Product Specification

Environmental Specifications:

- Shock Rating: 50 G
- Vibration Rating: 20 G (based on HALT)
- Camera IP Rating: IP69K / IP68
- Connector IP Rating: IP67
- Operating Temperature: -40° to +80°C
- Storage Temperature: -40° to +85°C

Approved Standards:

- CE - (EN 61000-6-3:2007+A1:2011+AC:2012 / EN 61000-6-2:2005)
- FCC - (47 CFR Part 15 Subpart B)
- 'E' Mark - (ECE Regulation 10 Rev 05)
(ECE Regulation 46 Rev. 05 with any combination of BE-870LM and SS-002)
- Ingress protection - ISO 20653:2006 for IP68 and IP69K
- RoHS 2
- WEEE
- EN 13309:2010 - EMC for Construction Machinery, Compliance
- ISO 13766:2006 - EMC for Earth-Moving Machinery, Compliance
- Corrosion Test - ISO 16750-4

Technical Specifications:

- Operating Voltage: 12/24 Vdc
- Current Consumption: min. 35mA
max. 263mA
- Power Consumption: ≤ 3.5 Watts
- Imaging Devices: CCD - 1/3" Sony
DSP - Nextchip
- TV System: PAL
- Picture Elements: 752(H) x 582(V)
- Visual Resolution: 450 TV Lines
- Lens Focal Length: 2.65mm
- Signal to Noise Ratio: > 47dB

Technical Specifications Continued...

- Required Illumination: 0 Lux (IR LEDs ON)
- Viewing Angle: 101°(H), 72°(V), 133°(D) ± 5%
- Weight: Approx. 390 Grams
- Video Output: 1.0 Vp-p / 75Ω
- Length of Cable: 1000 ± 30mm
- Overall Dimensions: 86mm (W) x 80mm (D) x 72mm (H)
- Casing Material: Die cast Aluminium
- View: Mirror/Normal
- Finish: Black

Features:

- Operating voltage 12/24 Vdc
- Back Light Compensation
- Automatic White Balance
- Fixed IRIS - Aperture F2.5
- 5x High Power Infrared LEDs
- 1x Day/Night Sensor (CDS)
- Integrated Heater
- Integrated Microphone
- BE Type Connector
- High Performance CCD & DSP

Package Contents:

- 1 x (BE-850C-C) Camera
- 1 x (BE-X0XC-BKT) Bracket
- 1 x (BE-X0XC-SS) Sunshield
- 1 x (BE-8XXC-FIX) Fixing Pack
- 1 x (BE-850-IG) Instruction Guide

